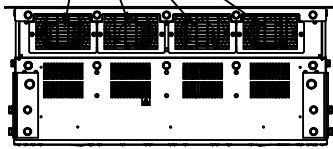


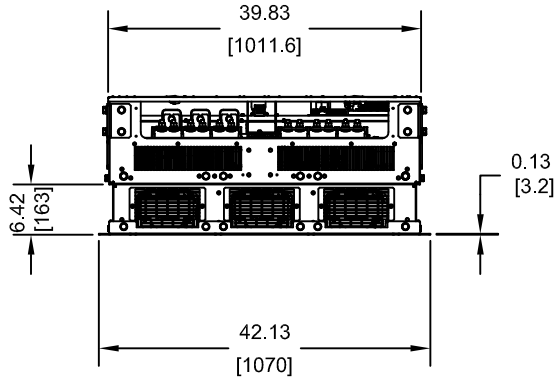
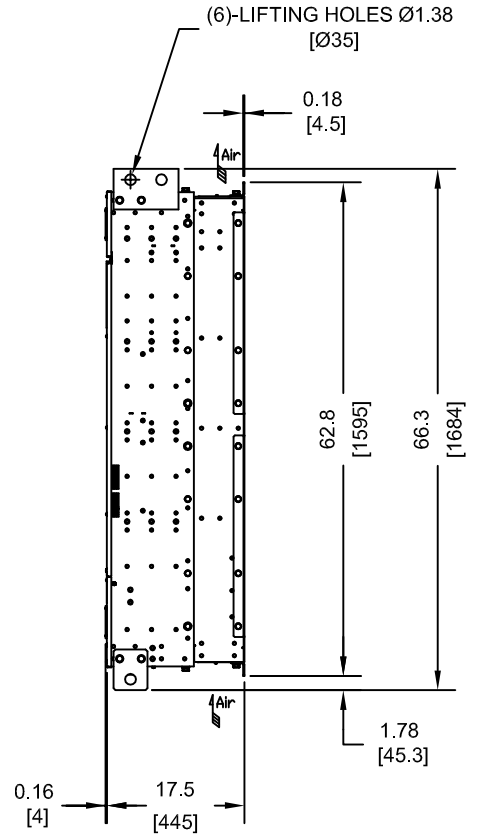
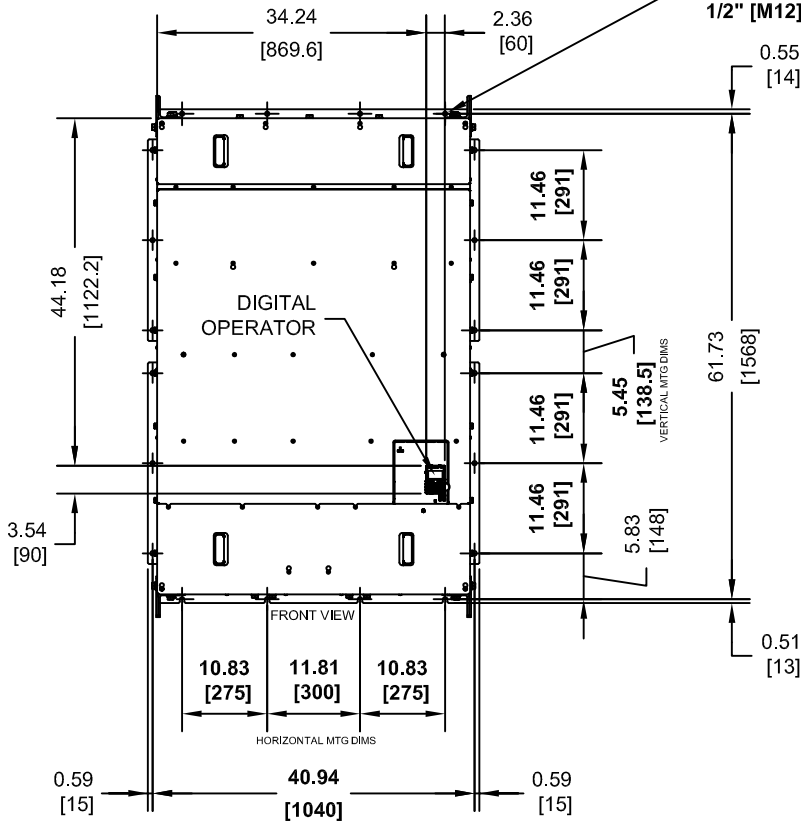
(4) EXTERNAL COOLING FANS



NOTE:
SPREADER BAR REQUIRED TO AVOID DAMAGE DURING LIFTING

(20)-MOUNTING HOLES FOR 1/2" [M12] SCREWS

(6)-LIFTING HOLES Ø1.38 [Ø35]



MODEL # CIMR-UU	VOLTAGE 3-PHASE (VAC)	OUTPUT CURRENT (A)		WEIGHT LBS (Kg)	HEAT LOSS (W)					
					ND (Fc=3kHz)			HD (Fc=3kHz)		
		ND	HD		INT	EXT	TOT	INT	EXT	TOT
4□0477A□□	380/500	477	414	1232 (560)	1115	7163	8278	983	6037	7020
4□0590A□□		590	477	1232 (560)	1349	9071	10420	1115	7054	8169

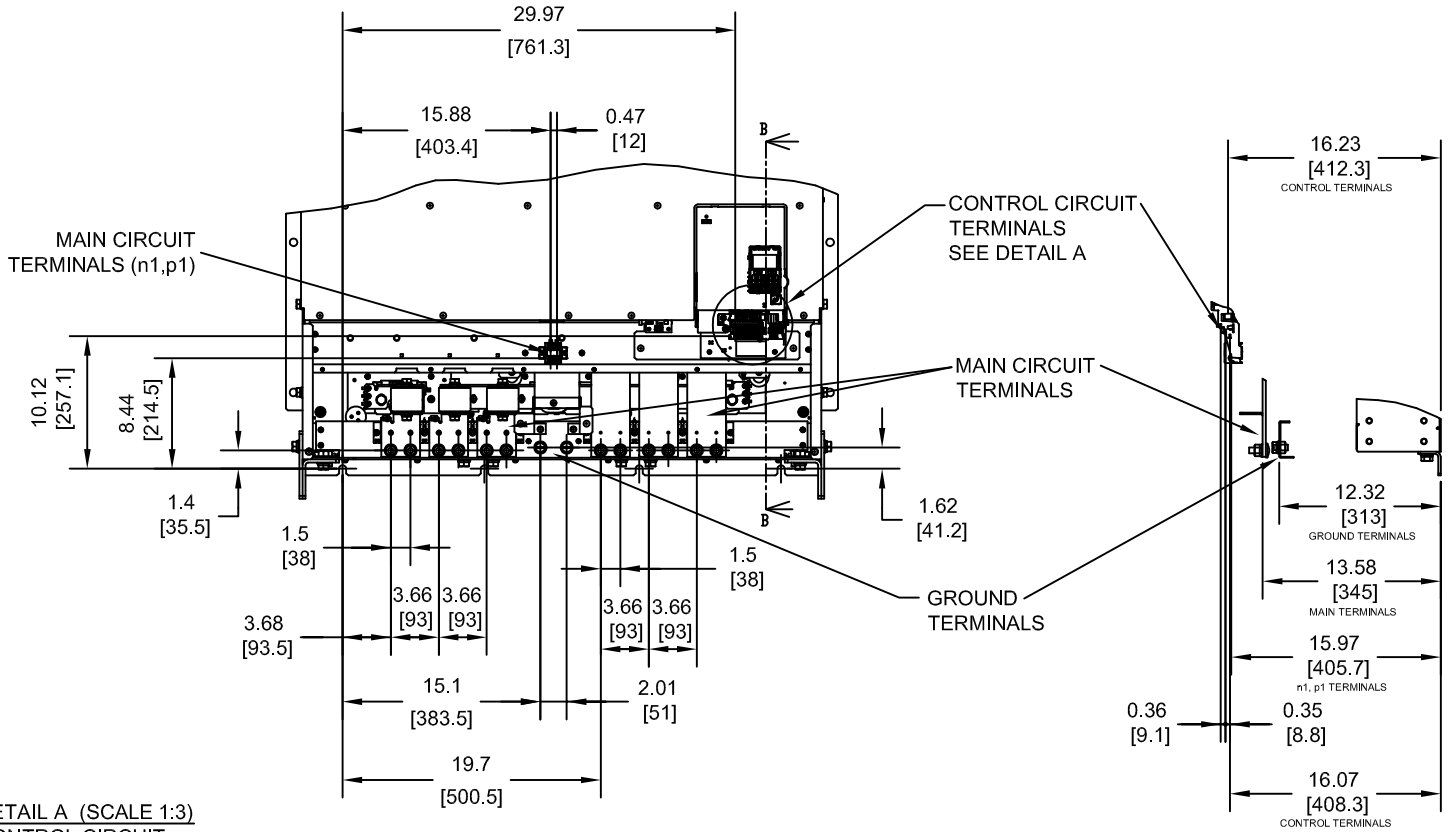
NOTES:
□ DENOTES A-Z
□□ DENOTES AA-ZZ

INT=INTERNAL COMPONENTS
EXT=EXTERNAL HEATSINK
TOT=TOTAL

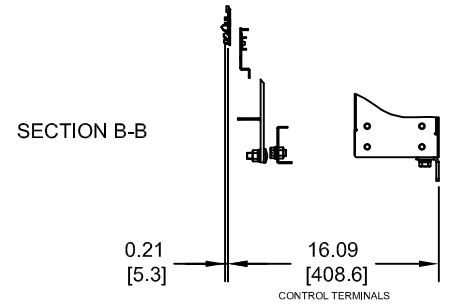
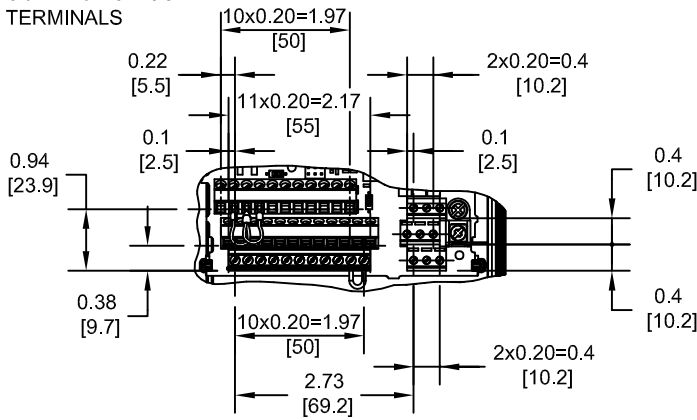
FOR ADDITIONAL DETAILS AND SPECIFICATIONS, CONSULT MANUAL

TOLERANCES / REFERENCES:		YASKAWA	DRAWN: J. MATTAS	DATE 10-20-16	TITLE: U1000 DIMENSION DRAWING
			CHECKED: J. PIOTROWSKI	DATE 10-27-16	FRAME SIZE 6
			TECH: J. BORJA	DATE 11-2-16	IP00 ENCLOSURE
			APPROVED: J. CAIRO	DATE 11-16-16	4□0477 AND 4□0590
UNITS: IN[mm]	SCALE: 1:25	THIS DOCUMENT AND INFORMATION CONTAINED IN IT ARE CONFIDENTIAL, AND CANNOT BE COPIED OR DISCLOSED IN WHOLE OR IN PART WITHOUT THE EXPRESS WRITTEN CONSENT OF YASKAWA AMERICA, INC.	ORIGINAL DESIGN: -	DATE -	DRAWING #: DD.U1K.FR6.IP00
			SIZE A	REVISION R00	PAGE 1 of 3

TERMINAL AND WIRING DETAILS (SCALE 1:15)



DETAIL A (SCALE 1:3)
CONTROL CIRCUIT TERMINALS



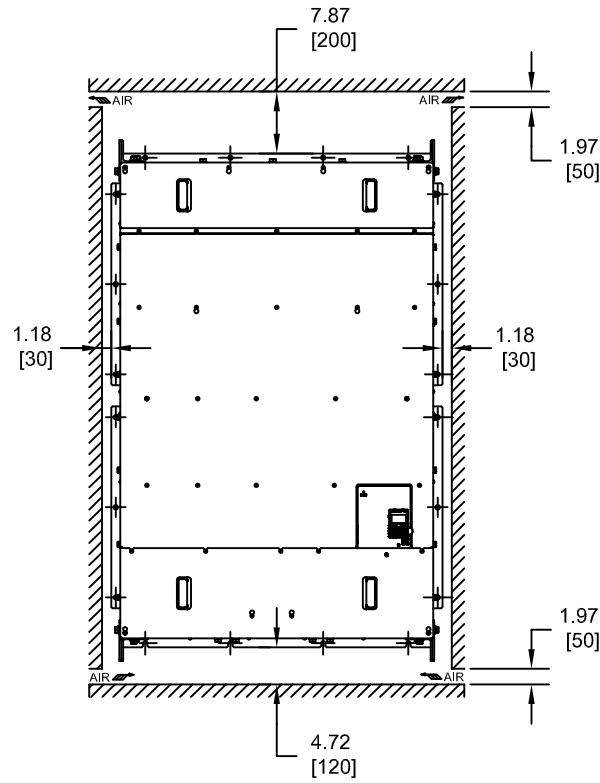
TERMINAL AND WIRE SPECIFICATIONS FOR MAIN CIRCUIT AND GROUND

MODEL # CIMR-UU	TERMINAL SYMBOL	TERMINAL SCREW	CLAMPING TORQUE lb.in.(N.m.)
4□0477	R/L1, S/L2, T/L3	M12	278 TO 347 (31.4 TO 39.2)
	U/T1, V/T2, W/T3		
4□0590	p1, n1	M4	10.4 TO 17.4 (1.2 TO 2.0)
	⊕	M12	278 TO 347 (31.4 TO 39.2)

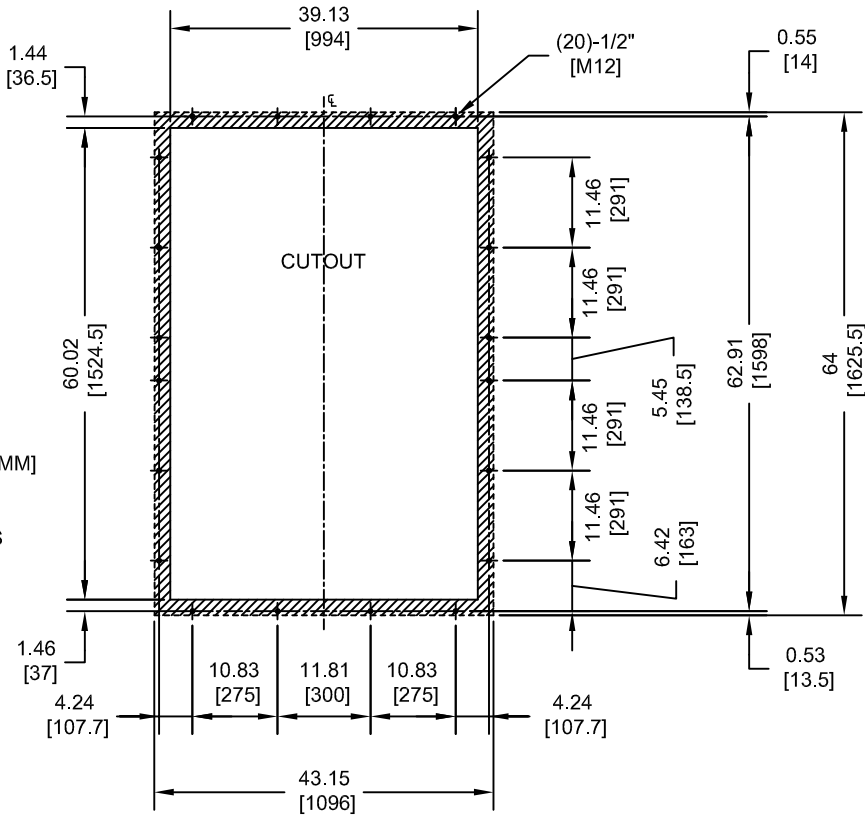
NOTE: REFER TO APPLICABLE CODES FOR PROPER WIRE TYPE AND SIZE

TOLERANCES / REFERENCES:		YASKAWA	DRAWN: J. MATTAS	DATE 10-20-16	TITLE: U1000 DIMENSION DRAWING	
UNITS: IN[mm]	SCALE: BY VIEW		CHECKED: J. PIOTROWSKI	DATE 10-27-16	FRAME SIZE 6 IP00 ENCLOSURE	
		TECH: J. BORJA		DATE 11-2-16	4□0477 AND 4□0590	
		APPROVED: J. CAIRO		DATE 11-16-16	SIZE A	REVISION R00
		ORIGINAL DESIGN: -		DATE -	PAGE 2 of 3	
				DRAWING #: DD.U1K.FR6.IP00		

MINIMUM INSTALLATION CLEARANCES (SCALE 1:25)



PANEL CUTOUT FOR EXTERNAL HEATSINK MOUNTING CONFIGURATION (SCALE 1:25)



NOTES:

- CUTOUT TOLERANCE: ± 0.02 " [± 0.5 MM]
- EXPOSED HEATSINK RECOMMENDED CLEARANCE $D=7.09$ " MINUS PANEL THICKNESS

FOR ADDITIONAL DETAILS AND SPECIFICATIONS, CONSULT MANUAL

TOLERANCES / REFERENCES:		YASKAWA	DRAWN:	J. MATTAS	DATE:	10-20-16	TITLE:	U1000 DIMENSION DRAWING						
UNITS: IN[mm]			SCALE: BY VIEW	CHECKED:	J. PIOTROWSKI	DATE:	10-27-16	FRAME SIZE 6	IP00 ENCLOSURE					
			THIS DOCUMENT AND INFORMATION CONTAINED IN IT ARE CONFIDENTIAL, AND CANNOT BE COPIED OR DISCLOSED IN WHOLE OR IN PART WITHOUT THE EXPRESS WRITTEN CONSENT OF YASKAWA AMERICA, INC.		TECH:	J. BORJA	DATE:	11-2-16	4-0477 AND 4-0590	SIZE:	A	REVISION:	R00	PAGE:
				APPROVED:	J. CAIRO	DATE:	11-16-16	DRAWING #:		DD.U1K.FR6.IP00				
				ORIGINAL DESIGN:	-	DATE:	-							